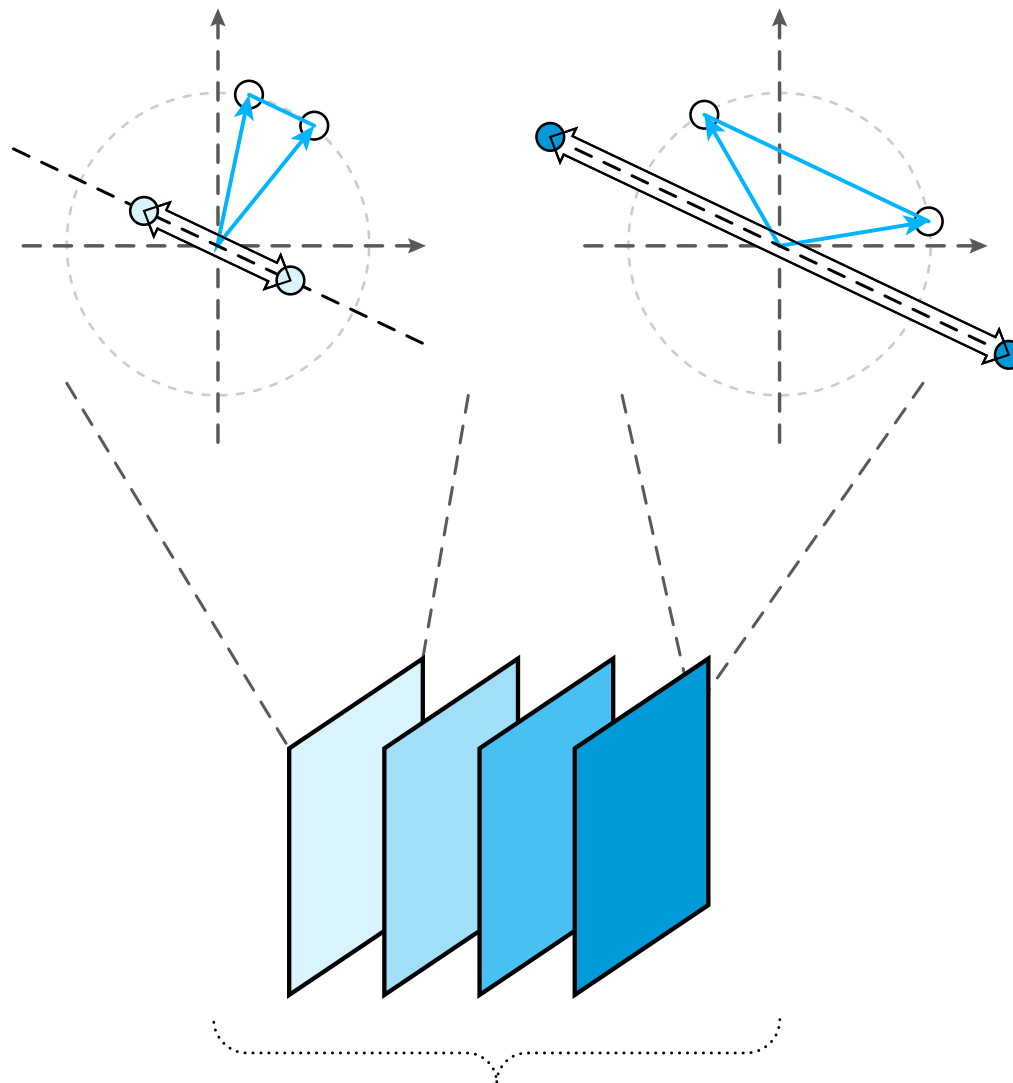


[LASER BEAM] PROJECTOR DISPLAY  
... A PROJECTOR BASED ON AN ARRAY OF MIRRORS  
[OR] LIQUID CRYSTAL DISPLAY, ORGANIC LIGHT-EMITTING DIODE DISPLAY,  
CATHODE RAY TUBE, PLASMA DISPLAY, [ETC.]

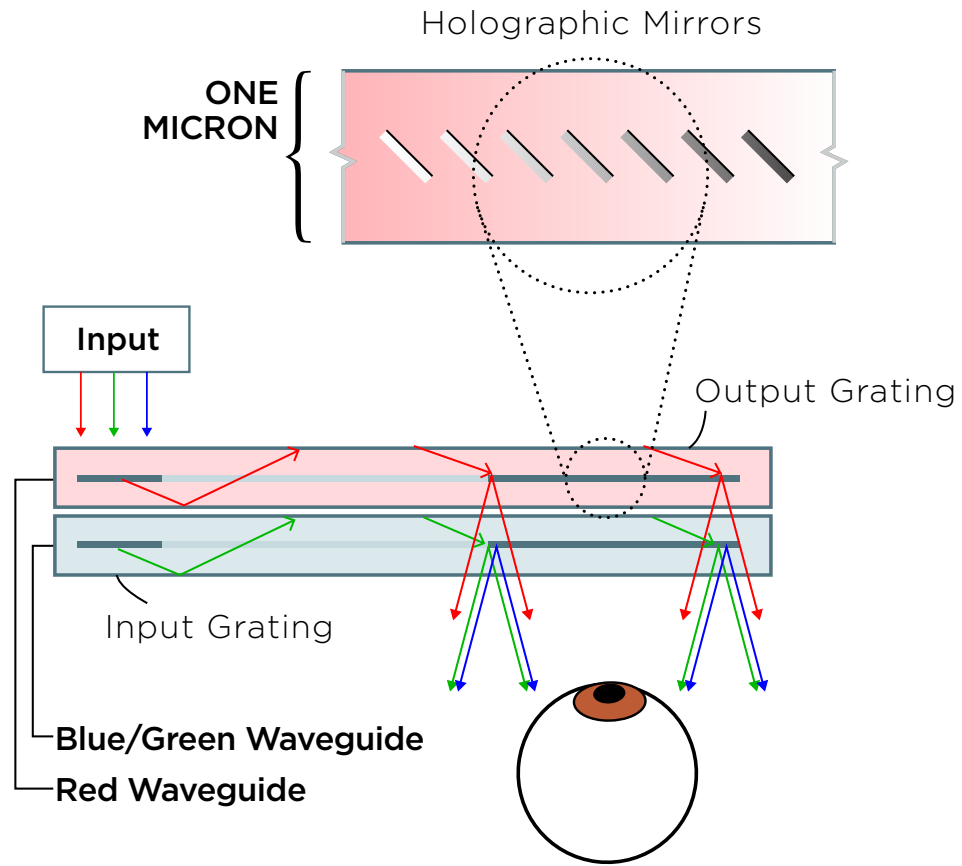
ARTWORK © BY CHRIS GRAYSON

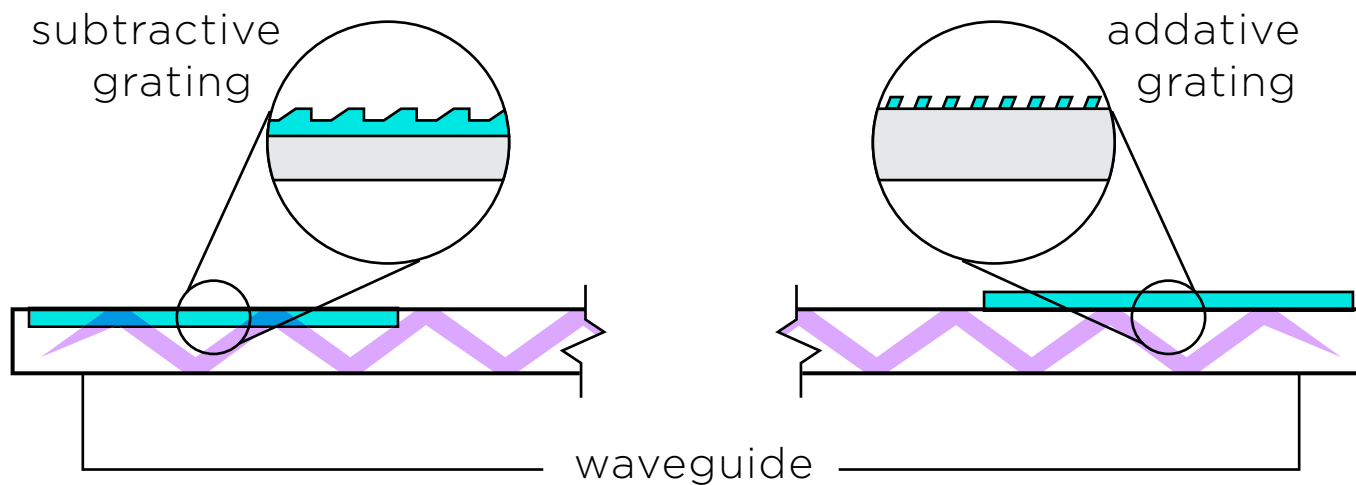


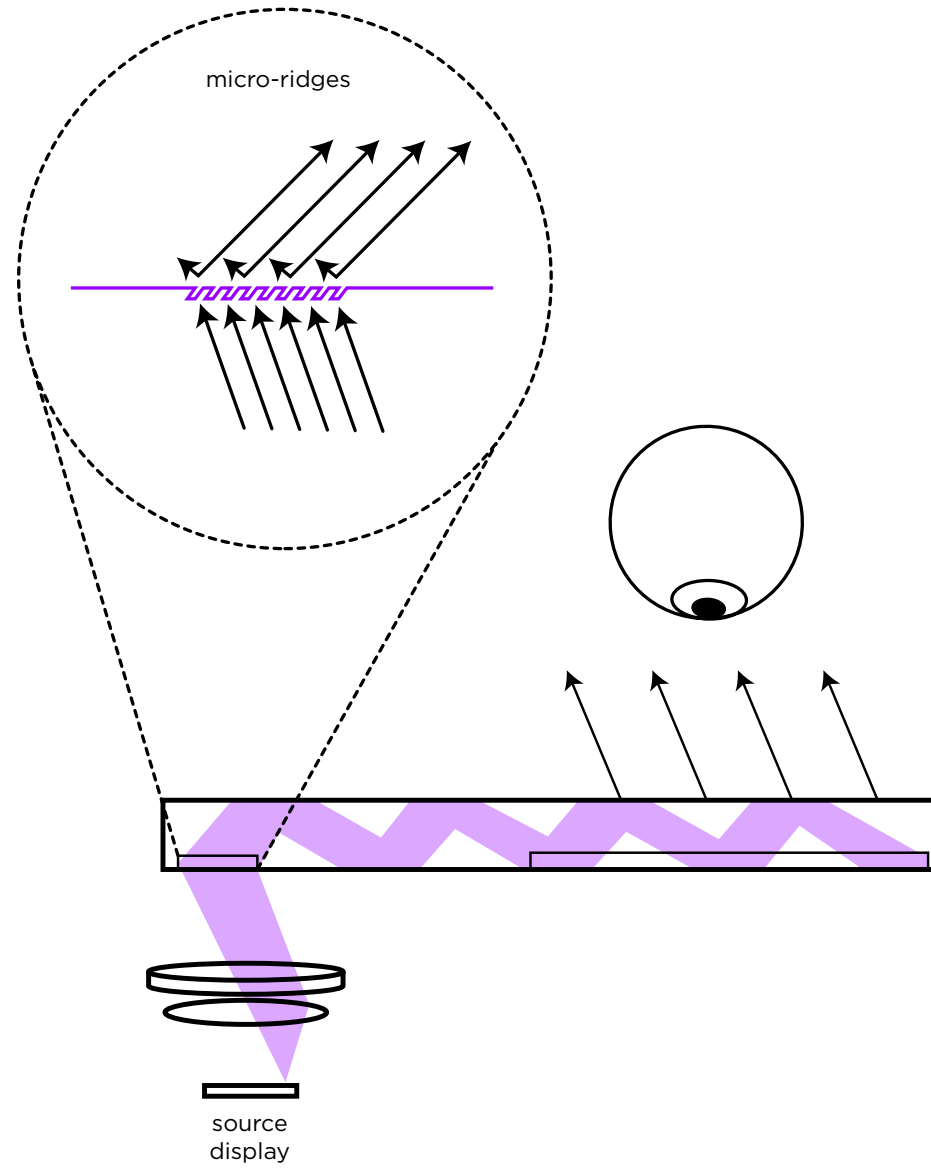


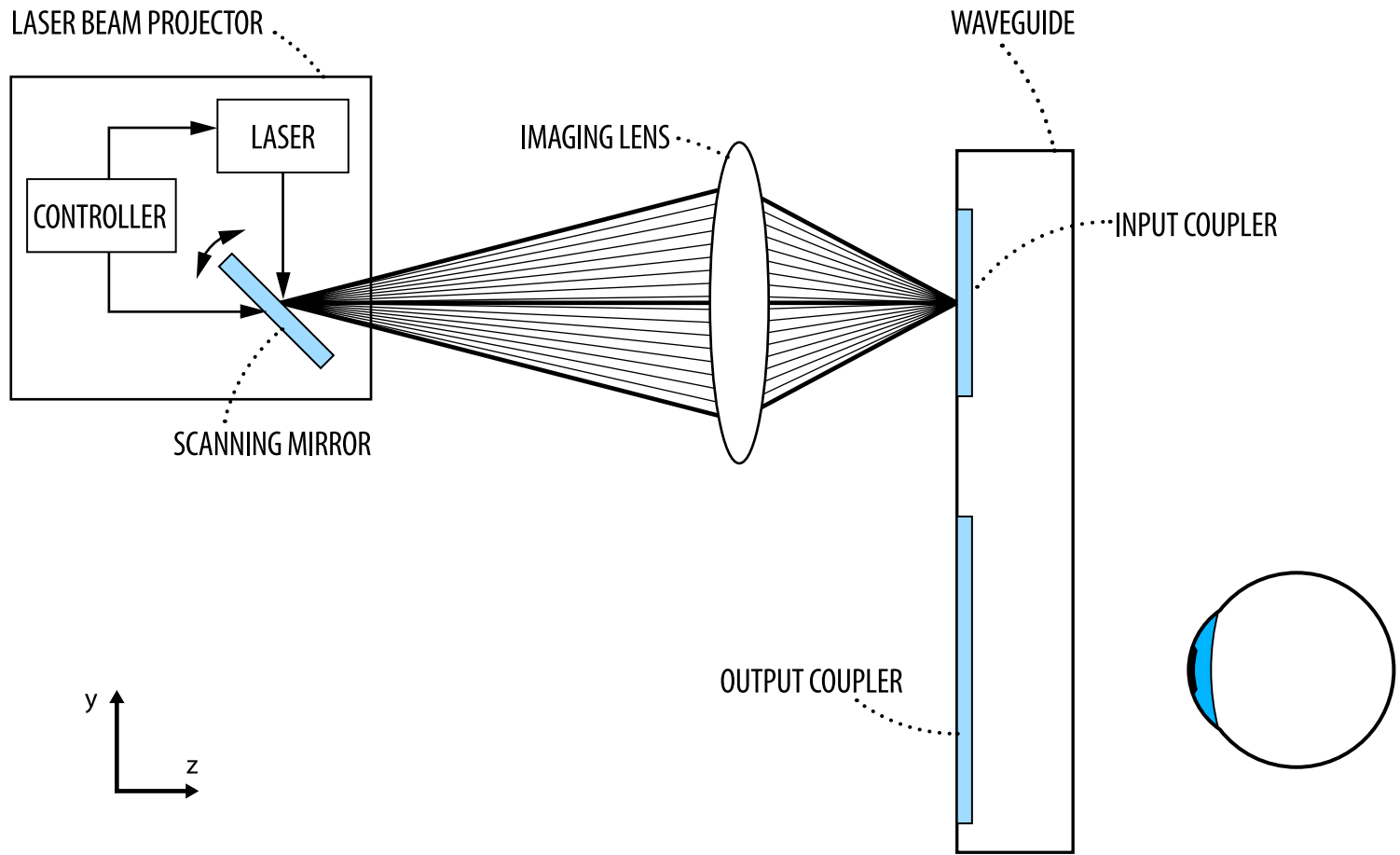
A PLURALITY OF GRATING STRUCTURES











*(side view)*

